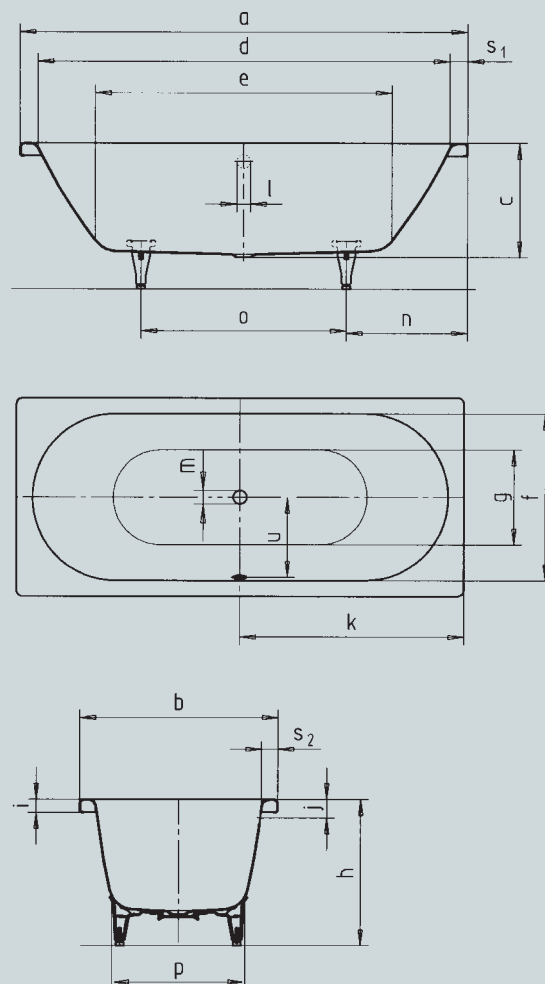


CLASSIC DUO

- puristic simplicity and unpretentious elegance are what distinguish these bathtubs
- bathing with a friend: two identical back rests and centrally positioned outlet
- classical four-cornered model
- made of Kaldewei steel enamel 3.5 mm



Model no.		103	105	107	109	110
External length	a	1600	1700	1700	1800	1800 mm
External width	b	700	700	750	750	800 mm
Depth	c	430	430	430	430	430 mm
Internal length (top)	d	1480	1580	1580	1680	1680 mm
Internal length (bottom)	e	1030	1130	1130	1230	1230 mm
Internal width (top)	f	580	580	630	630	680 mm
Internal width (bottom)	g	450	450	500	500	550 mm
Height with feet	h	570-605	565-600	560-595	560-595	555-590 mm
Height of rim	i	32	32	32	32	32 mm
Distance top edge to centre of overflow hole	j	70	70	70	70	70 mm
Distance tub edge to centre of drain hole	k	800	850	850	900	900 mm
Diameter of overflow hole	l	52	52	52	52	52 mm
Diameter of drain hole	m	52	52	52	52	52 mm
Distance foot end of tub edge to centre of foot	n	560	560	560	600	600 mm
Distance between the feet	o	480	580	580	600	600 mm
Max. width of feet	p	430	420	470	470	540 mm
Width of rim (foot end; lengthwise)	s ₁ ; s ₂	60; 60	60; 60	60; 60	60; 60	60; 60 mm
Distance between centre holes	u	280	280	305	305	330 mm
Water volume** in litres		95	110	122	143	158
Weight of the enamelled bath tub in kg		44	47	48	50	53
Anti-slip		Ø 288	Ø 288	Ø 435	Ø 435	Ø 435 mm
Full anti-slip		850 x 240	900 x 300	900 x 300	900 x 300	900 x 300

Subject to technical alterations and tolerances.
 ** 70 litres displacement on average.